

WOODWRIGHTS



MODULAR SOFA

Charly Modular Sofa

Charly is a sophisticated modular sofa characterised by feature piping. Its versatile range of modules, from straight to asymmetrical and curved, allow for adaptable combinations, creating a tailored and distinctive appearance to suit any space. Designed for everyday use with low maintenance and supportive comfort.

Cushions sold separately.

SPECIFICATIONS

- Solid ash timber
- Foam blend with fibre wrap
- Feather fibre cushions - sold separately
- Fixed seat cushioning
- Moderate seat-depth
- Structured composition with a relaxed comfort
- Piping around edges of seat and back
- Fully assembled

COMFORT PROFILE

4 - A supportive, fixed seat. Requires very little maintenance and dressing between uses.

Cushions

1 - Relaxed comfort profile, designed to offer a soft experience.

Will relax with use.

Made to order in New Zealand by Woodwrights

WOODWRIGHTS

CHARLY SOFA CONFIGURATIONS

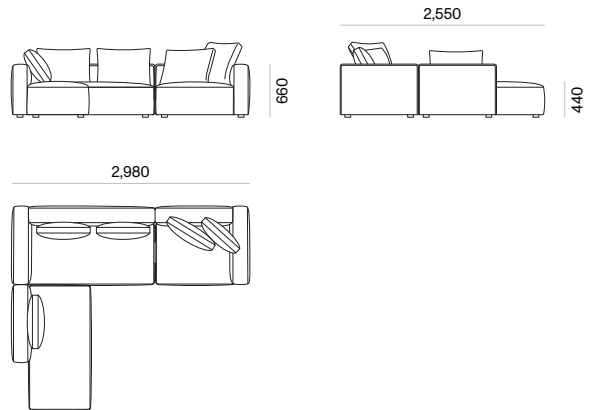
CHARLY CORNER SOFA - LEFT HAND OPEN CHAISE 10576

METERAGE
FABRIC: 16.1m
PIPING: 4.8m

MODULES

10568 - LONG RIGHT BACK ONLY
10574 - LONG LEFT ARM
10564 - SHORT RIGHT ARM

RECOMMENDED CUSHION PAIRING
4 x 10604 - RECTANGLE
1 x 10605 - SQUARE



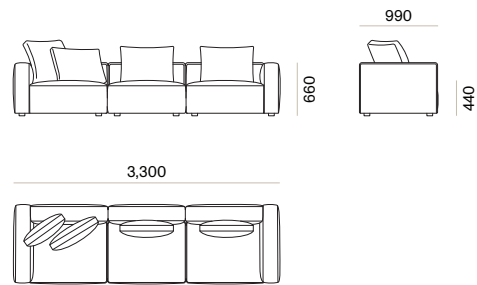
CHARLY 3 SEATER SOFA 10577

METERAGE
FABRIC: 14.6m
PIPING: 1.7m

MODULES

10565 - SHORT LEFT ARM
10563 - SHORT BACK ONLY
10564 - SHORT RIGHT ARM

RECOMMENDED CUSHION PAIRING
3 x 10604 - RECTANGLE
1 x 10605 - SQUARE



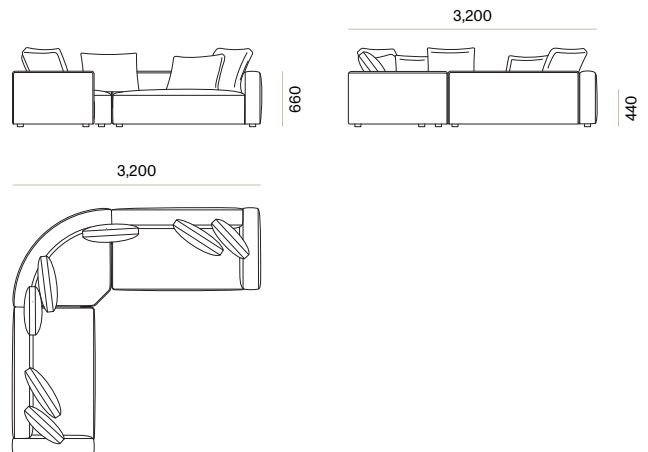
CHARLY SHORT CORNER SOFA - LEFT & RIGHT ARM 10595

METERAGE
FABRIC: 18.4m
PIPING: 4.8m

MODULES

10574 - LONG LEFT ARM
10594 - SHORT CORNER
10573 - LONG RIGHT ARM

RECOMMENDED CUSHION PAIRING
4 x 10604 - RECTANGLE
3 x 10605 - SQUARE



WOODWRIGHTS

CHARLY SOFA CONFIGURATIONS

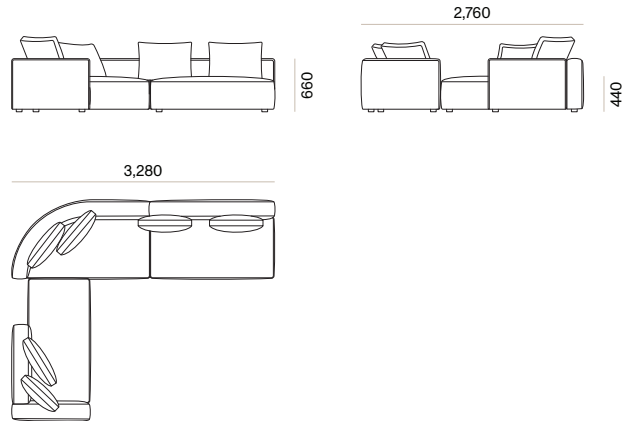
CHARLY LONG CORNER SOFA - LEFT ARM OPEN BACK 10596

METERAGE
FABRIC: 15.7M
PIPING: 4.8M

MODULES

10569 - LONG LEFT ARM & OPEN BACK
10591 - LONG LEFT CORNER
10566 - LONG BACK ONLY

RECOMMENDED CUSHION PAIRING
5 x 10604 - RECTANGLE
1 x 10605 - SQUARE



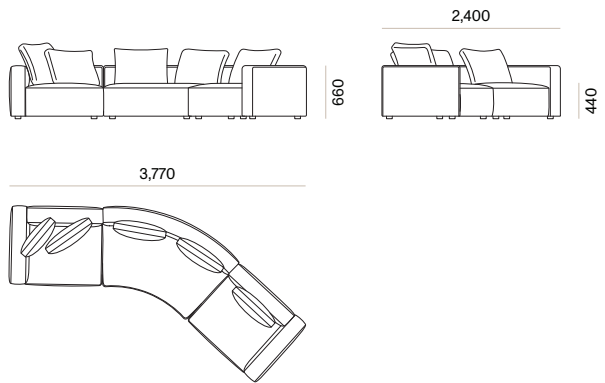
CHARLY ARC SOFA - LEFT & RIGHT ARM 10597

METERAGE
FABRIC: 15.6m
PIPING: 4.8m

MODULES

10565 - SHORT LEFT ARM
10593 - LONG 45 DEGREE ARC
10564 - SHORT RIGHT ARM

RECOMMENDED CUSHION PAIRING
4 x 10604 - RECTANGLE
1 x 10605 - SQUARE



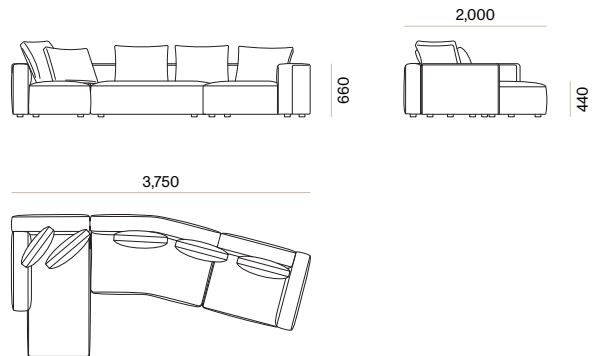
CHARLY KINKED SOFA - LEFT HAND CHAISE 10598

METERAGE
FABRIC: 15.6m
PIPING: 4.8m

MODULES

10570 - LONG RIGHT ARM & OPEN BACK
10575 - LONG BACK ONLY 15 DEGREE
10564 - SHORT RIGHT ARM

RECOMMENDED CUSHION PAIRING
4 x 10604 - RECTANGLE
1 x 10605 - SQUARE



WOODWRIGHTS

CHARLY SOFA CONFIGURATIONS

CHARLY TWIN ARC SOFA - RIGHT ARM ONLY 10599

METERAGE

FABRIC: 19.3m

PIPING: 4.8m

MODULES

10563 - SHORT BACK ONLY

10593 - LONG 45 DEGREE ARC

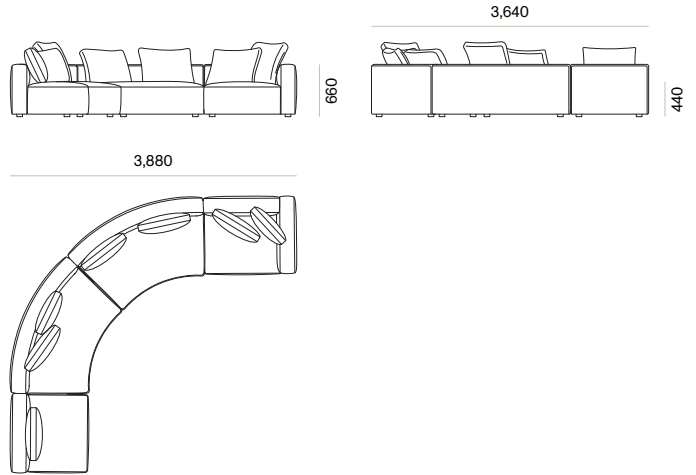
10593 - LONG 45 DEGREE ARC

10564 - SHORT RIGHT ARM

RECOMMENDED CUSHION PAIRING

4 x 10604 - RECTANGLE

2 x 10605 - SQUARE



CHARLY SOFA - RIGHT HAND CHAISE 10600

METERAGE

FABRIC: 11.8m

PIPING: 4.8m

MODULES

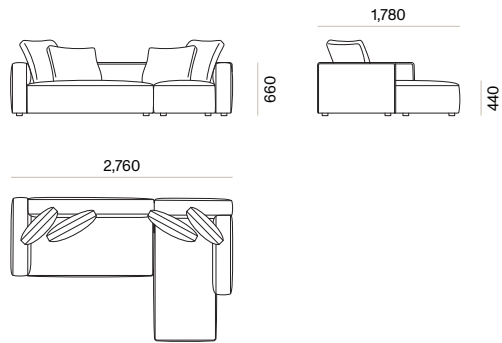
10574 - LONG LEFT ARM

10569 - LONG LEFT ARM & OPEN BACK

RECOMMENDED CUSHION PAIRING

3 x 10604 - RECTANGLE

1 x 10605 - SQUARE



CHARLY KINKED SOFA - RIGHT HAND OPEN 10601

METERAGE

FABRIC: 11.3m

PIPING: 4.8m

MODULES

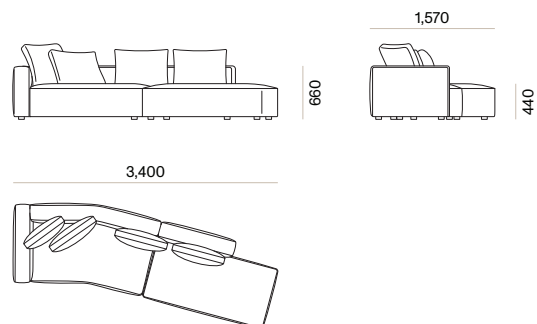
10590 - LONG LEFT ARM 15 DEGREE

10567 - LONG LEFT BACK ONLY

RECOMMENDED CUSHION PAIRING

3 x 10604 - RECTANGLE

1 x 10605 - SQUARE



WOODWRIGHTS

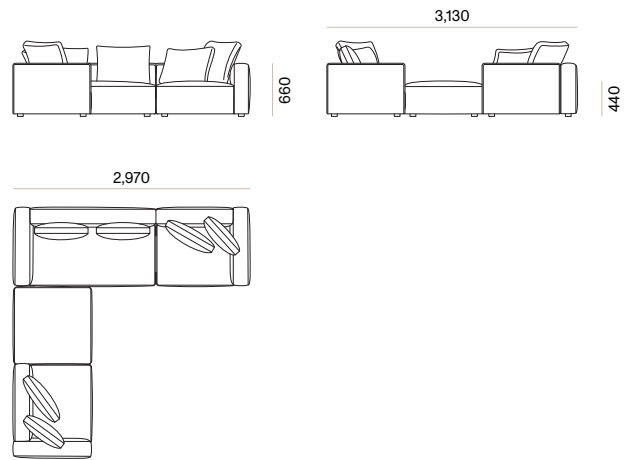
CHARLY SOFA CONFIGURATIONS

CHARLY CORNER SOFA - MID BACK OPEN 10602

METERAGE
FABRIC: 20.1m
PIPING: 4.8m

MODULES
10565 - SHORT LEFT ARM
10562 - SHORT OTTOMAN
10574 - LONG LEFT ARM
10564 - SHORT RIGHT ARM

RECOMMENDED CUSHION PAIRING
4 x 10604 - RECTANGLE
2 x 10605 - SQUARE

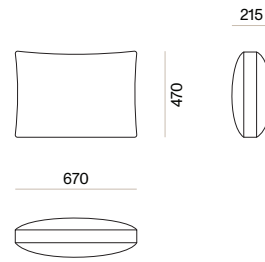


WOODWRIGHTS

CHARLY SOFA CUSHIONS

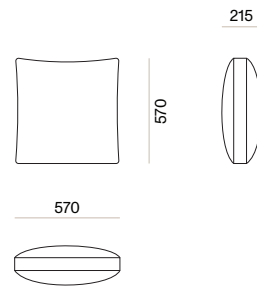
CHARLY RECTANGLE BACK CUSHION 10604

METERAGE: 1.4m



CHARLY SQUARE BACK CUSHION 10605

METERAGE: 1.2m

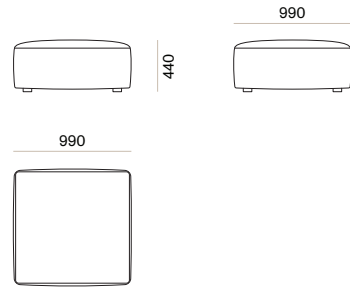


WOODWRIGHTS

CHARLY SOFA MODULES

CHARLY SHORT OTTOMAN MODULE 10562

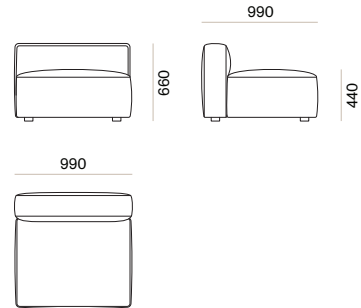
METERAGE
FABRIC: 3m
PIPING: 1.7m



CHARLY SHORT BACK ONLY MODULE 10563

METERAGE
FABRIC: 4m
PIPING: 1.7m

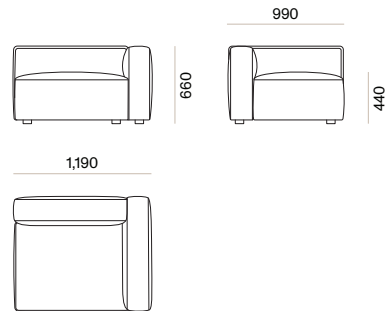
RECOMMENDED CUSHION PAIRING:
1 x 10604 - RECTANGLE



CHARLY SHORT RIGHT ARM MODULE 10564

METERAGE
FABRIC: 5.3m
PIPING: 1.7m

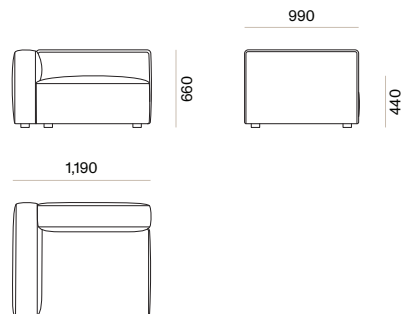
RECOMMENDED CUSHION PAIRING:
1 x 10604 - RECTANGLE



CHARLY SHORT LEFT ARM MODULE 10565

METERAGE
FABRIC: 5.3m
PIPING: 1.7m

RECOMMENDED CUSHION PAIRING:
1 x 10604 - RECTANGLE



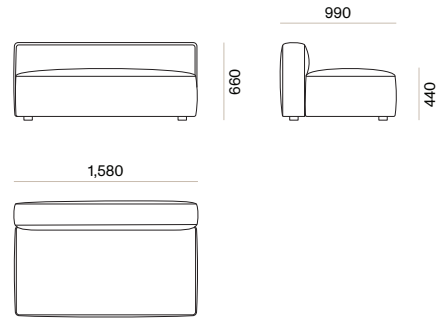
WOODWRIGHTS

CHARLY SOFA MODULES

CHARLY LONG BACK ONLY MODULE 10566

METERAGE
FABRIC: 5m
PIPING: 4.8m

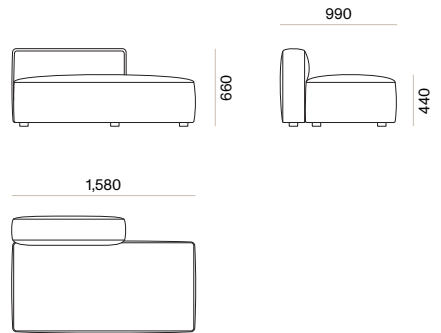
RECOMMENDED CUSHION PAIRING:
2 x 10604 – RECTANGLE



CHARLY LONG LEFT BACK ONLY MODULE 10567

METERAGE
FABRIC: 4.3m
PIPING: 4.8m

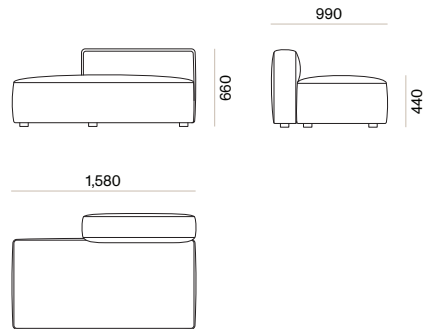
RECOMMENDED CUSHION PAIRING:
1 x 10604 – RECTANGLE



CHARLY LONG RIGHT BACK ONLY MODULE 10568

METERAGE
FABRIC: 4.3m
PIPING: 4.8m

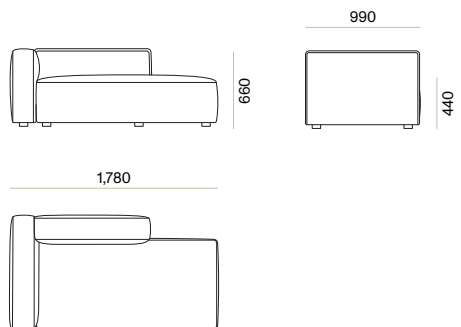
RECOMMENDED CUSHION PAIRING:
1 x 10604 – RECTANGLE



CHARLY LONG LEFT ARM & OPEN BACK MODULE 10569

METERAGE
FABRIC: 5.3m
PIPING: 4.8m

RECOMMENDED CUSHION PAIRING:
1 x 10604 – RECTANGLE



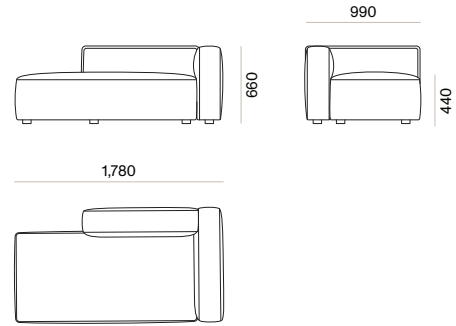
WOODWRIGHTS

CHARLY SOFA MODULES

CHARLY LONG RIGHT ARM & OPEN BACK MODULE 10570

METERAGE
FABRIC: 5.3m
PIPING: 4.8m

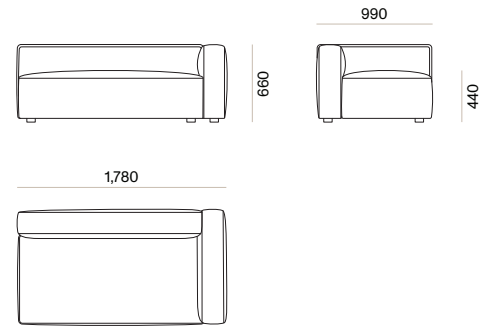
RECOMMENDED CUSHION PAIRING:
1 x 10604 – RECTANGLE



CHARLY LONG RIGHT ARM MODULE 10573

METERAGE
FABRIC: 6.5m
PIPING: 4.8m

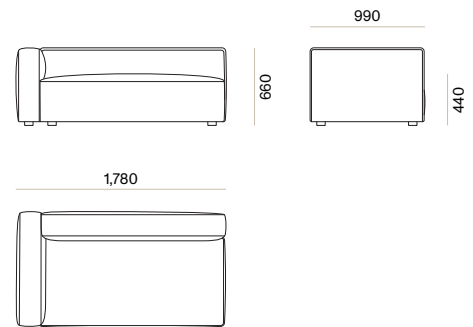
RECOMMENDED CUSHION PAIRING:
2 x 10604 – RECTANGLE



CHARLY LONG LEFT ARM MODULE 10574

METERAGE
FABRIC: 6.5m
PIPING: 4.8m

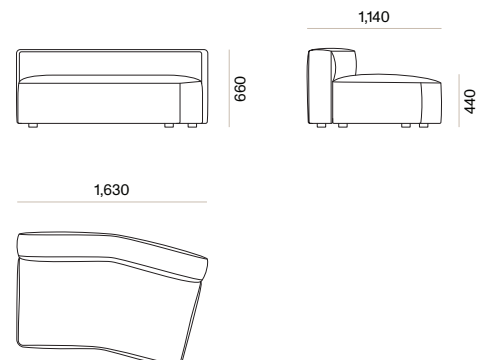
RECOMMENDED CUSHION PAIRING:
2 x 10604 – RECTANGLE



CHARLY LONG BACK ONLY 15 DEGREE MODULE 10575

METERAGE
FABRIC: 5m
PIPING: 4.6m

RECOMMENDED CUSHION PAIRING:
2 x 10604 – RECTANGLE



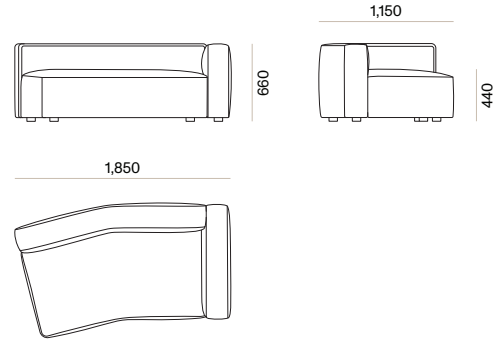
WOODWRIGHTS

CHARLY SOFA MODULES

CHARLY LONG RIGHT ARM 15 DEGREE MODULE 10587

METERAGE
FABRIC: 7m
PIPING: 4.6m

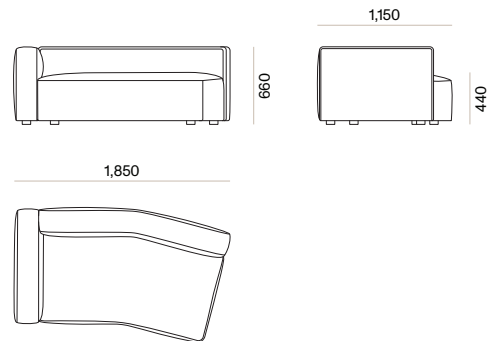
RECOMMENDED CUSHION PAIRING:
2 x 10604 – RECTANGLE



CHARLY LONG LEFT ARM 15 DEGREE MODULE 10590

METERAGE
FABRIC: 7m
PIPING: 4.6m

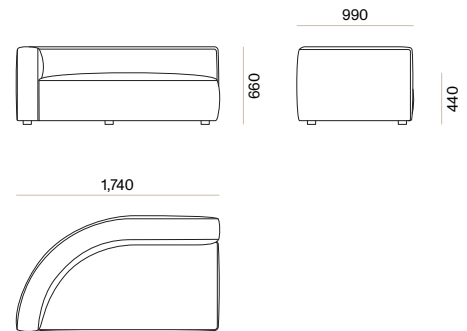
RECOMMENDED CUSHION PAIRING:
2 x 10604 – RECTANGLE



CHARLY LONG LEFT CORNER MODULE 10591

METERAGE
FABRIC: 5.4m
PIPING: 4.4m

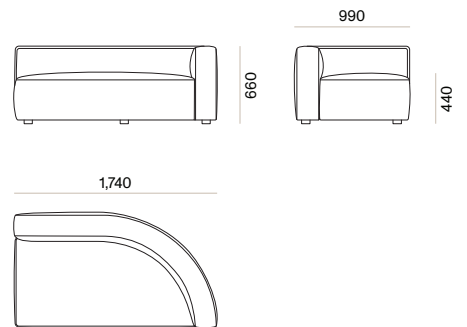
RECOMMENDED CUSHION PAIRING:
2 x 10604 – RECTANGLE



CHARLY LONG RIGHT CORNER MODULE 10592

METERAGE
FABRIC: 5.4m
PIPING: 4.4m

RECOMMENDED CUSHION PAIRING:
2 x 10604 – RECTANGLE

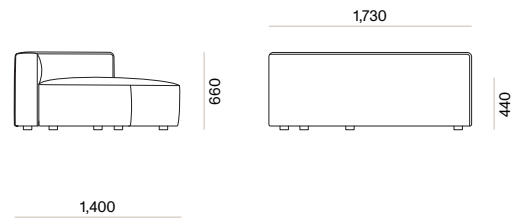


WOODWRIGHTS

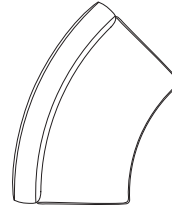
CHARLY SOFA MODULES

CHARLY LONG 45 DEGREE ARC MODULE 10593

METERAGE
FABRIC: 5m
PIPING: 4.8m

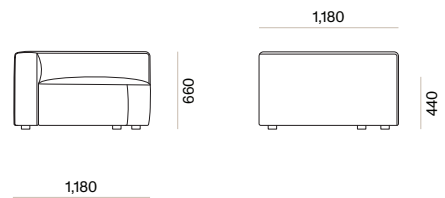


RECOMMENDED CUSHION PAIRING:
2 x 10604 - RECTANGLE



CHARLY SHORT CORNER MODULE 10594

METERAGE
FABRIC: 5.4m
PIPING: 4.8m



RECOMMENDED CUSHION PAIRING:
1 x 10604 - RECTANGLE

