



SOFA

## Kingsview Sofa Modules

Highly structured with fixed seat cushions and a memory foam seat this is a low maintenance modular sofa that will withstand everyday use while remaining elegant and contemporary in design.

Designed in collaboration with at.space

### DIMENSIONS

Right Arm Module	730H x 1290W x 960D
Left Arm Module	730H x 1290W x 960D
Back Module - 1290W	730H x 1290W x 960D
Back Module - 950W	730H x 950W x 960D
Curved Corner	730H x 1560W x 1560D
Curved Corner - 135°	730H x 1100W x 1100D

### SPECIFICATIONS

- Interlaced elasticised webbing in seat base
- Multi-layered foam blend for structural, transitional comfort that is low ongoing maintenance
- Memory foam top layer around seat and back
- Joining clips to clip into other Kingsview modules
- Hand turned solid timber bun feet
- Fully assembled

### COMFORT PROFILE

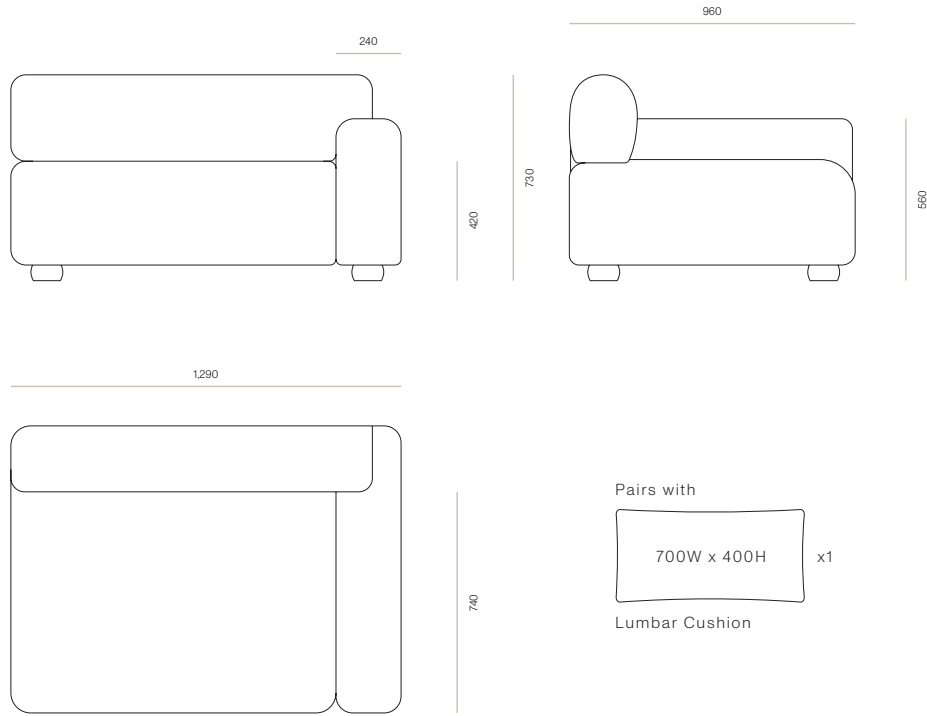
5 - Highly structured, providing supportive comfort. Requires very little maintenance and dressing between uses.

Made to order in New Zealand by Woodwrights

# WOODWRIGHTS

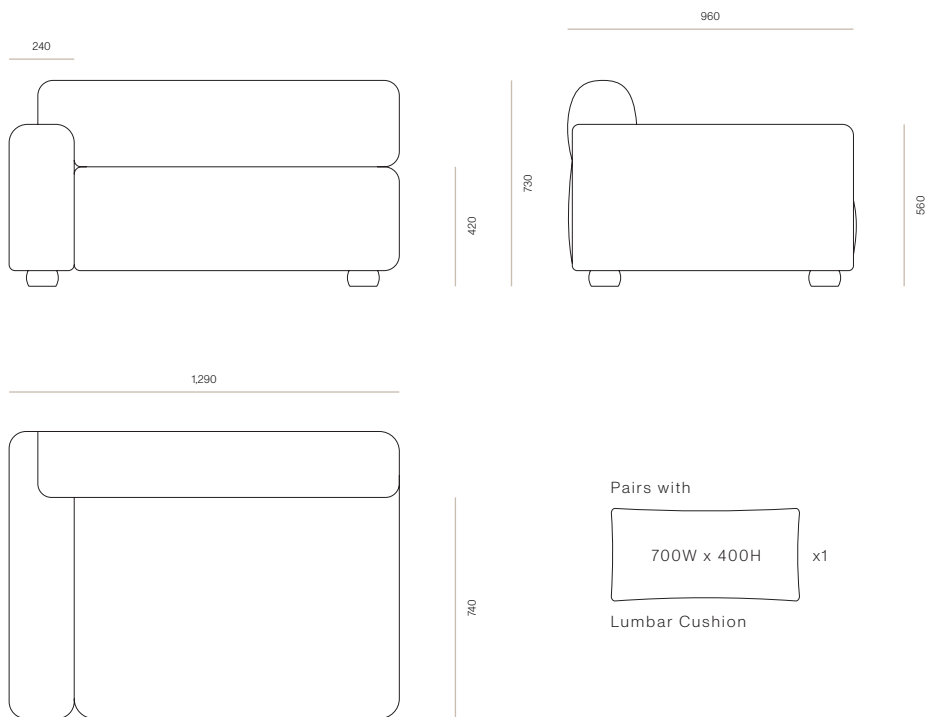
KINGSVIEW MODULE - RIGHT ARM

CODE 4342



KINGSVIEW MODULE - LEFT ARM

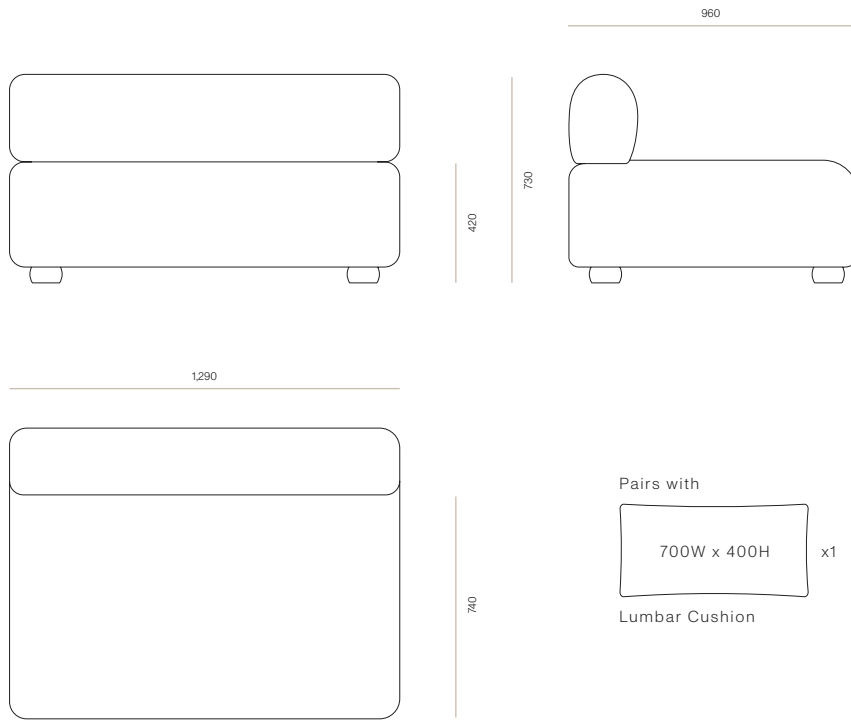
CODE 4340



# WOODWRIGHTS

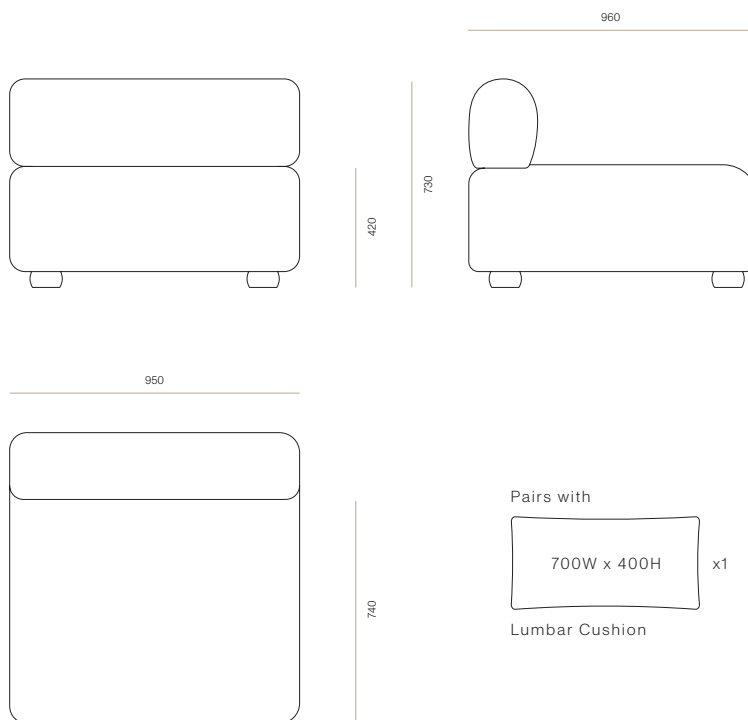
KINGSVIEW 1290W MODULE - BACK ONLY

CODE 4341



KINGSVIEW 950W MODULE - BACK ONLY

CODE 4343

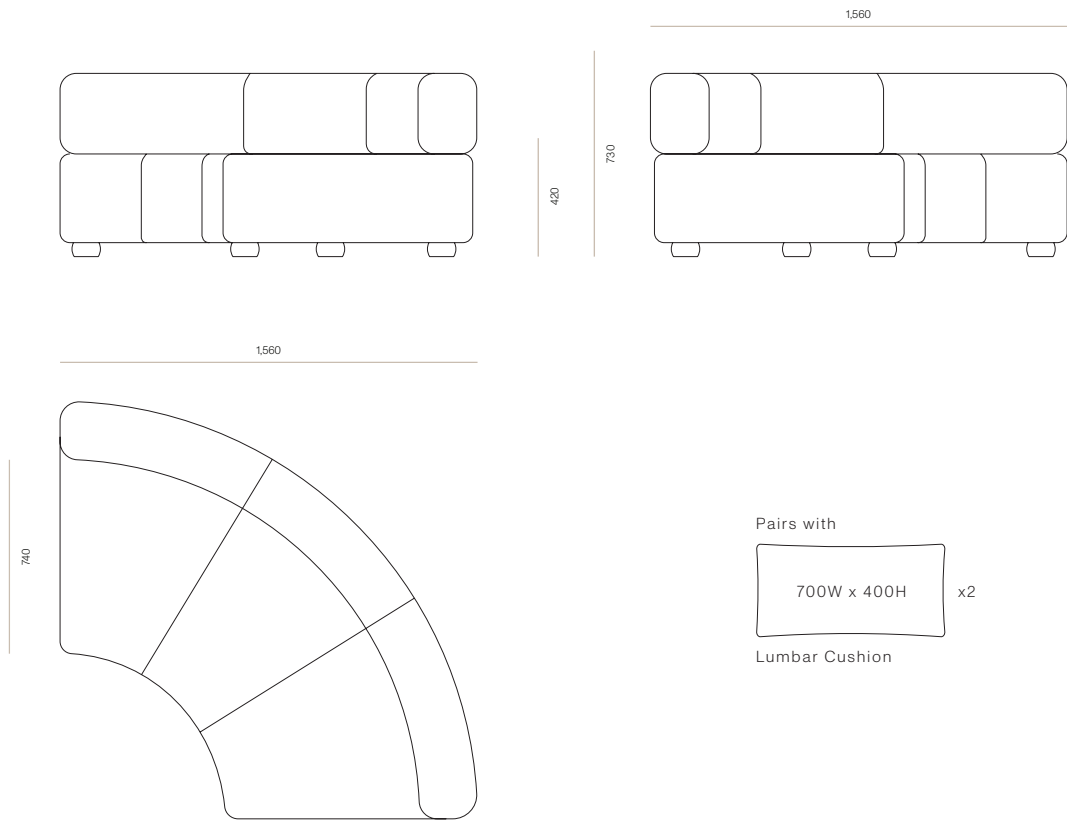


# WOODWRIGHTS

KINGSVIEW CURVED CORNER

CODE

4344



KINGSVIEW CURVED CORNER - 135° ANGLE

CODE

6577

