

WOODWRIGHTS



DINING

SBR T01 Dining Table

A tactile dining table composed of solid timber slabs, defined by negative detailing through the centre of the tabletop and legs.

Designed in collaboration with Seear-Budd Ross

DIMENSIONS

2500W	740H x 2500W x 1005D
2700W	740H x 2700W x 1005D
2700W x 1205D	740H x 2700W x 1205D
3000W	740H x 3000W x 1005D
3000W x 1205D	740H x 3000W x 1205D

SPECIFICATIONS

- Solid ash or oak timber
- 5mm negative detail through centre of top, faces and ends of leg frames
- 5% extra matt lacquer available on Sand Oak, Organic Oak, Mid Brown Ash
- 40mm thick top
- Fully assembled with delivery option 2
- Base sent separate to the top and requires some simple assembly using the hardware and instructions provided

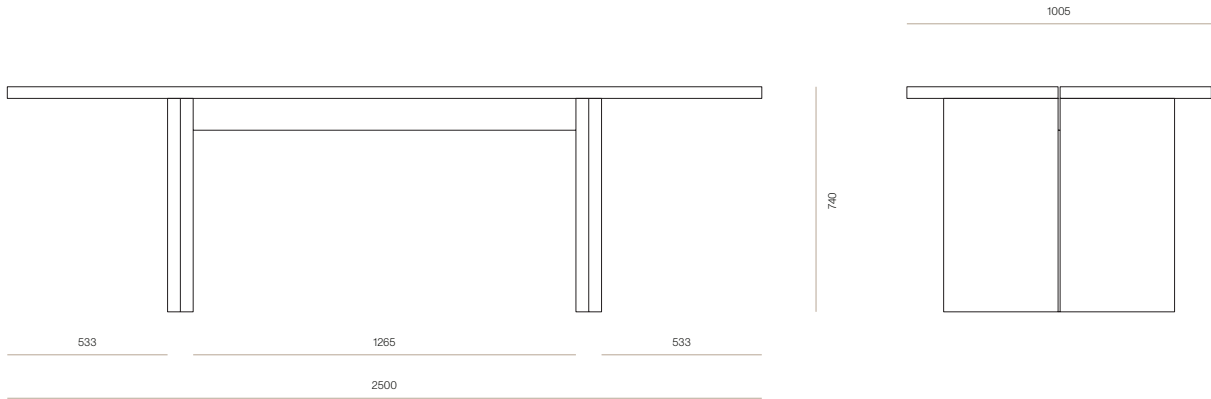
Made to order in New Zealand by Woodwrights

WOODWRIGHTS

2500W - 6 SEATER

CODE

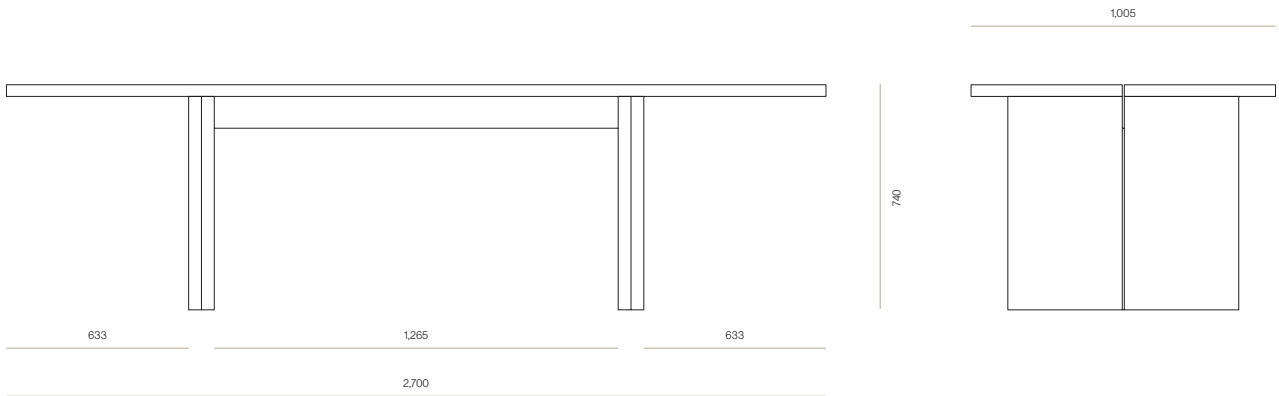
9159



2700W - 6-8 SEATER

CODE

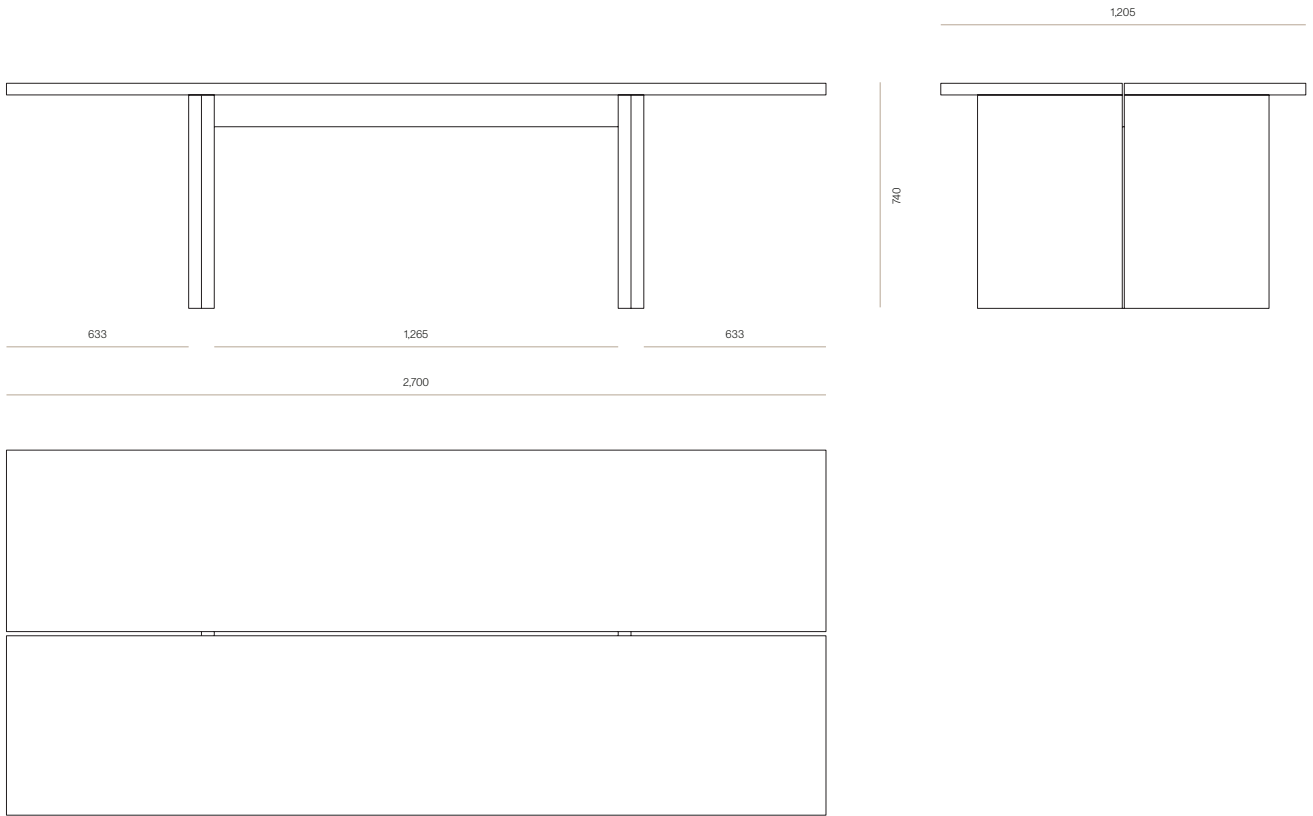
8865



WOODWRIGHTS

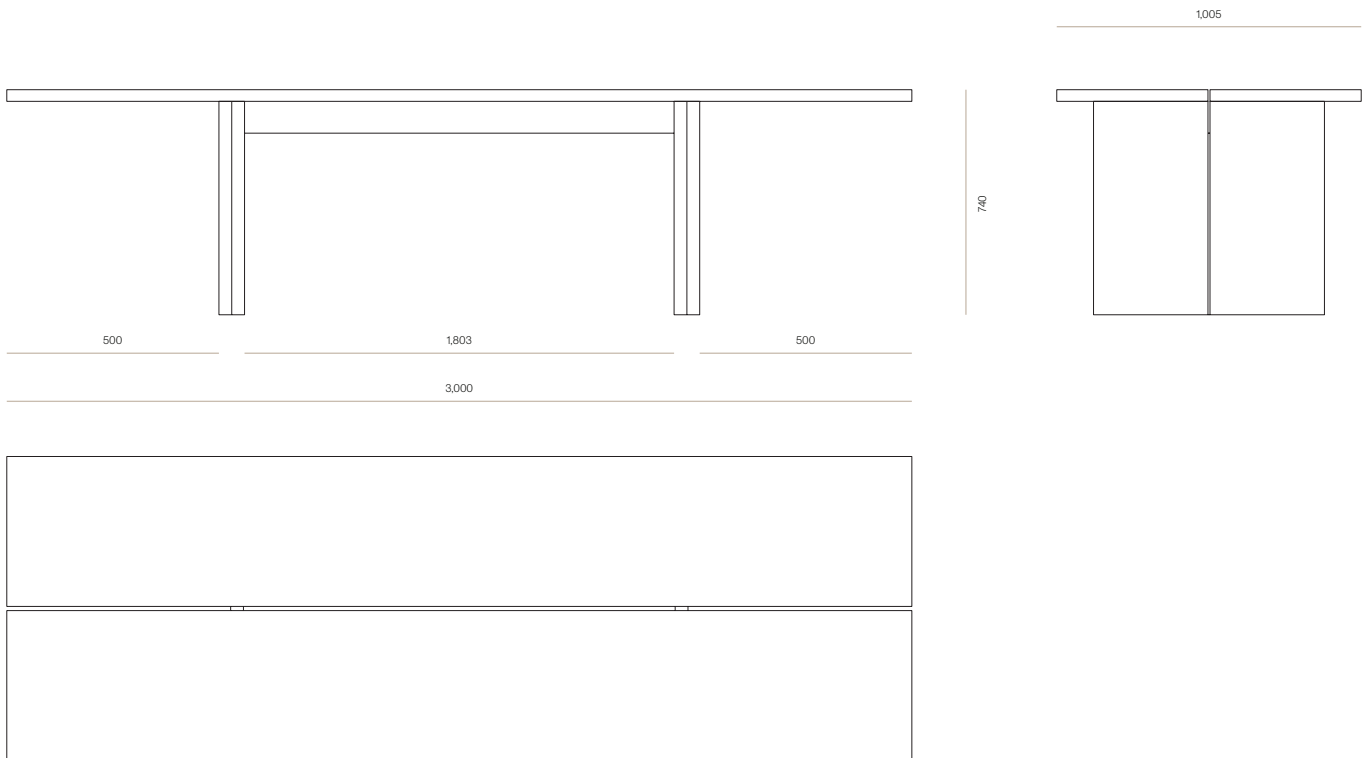
2700W X 1250D - 8-10 SEATER

CODE 10392



3000W - 8 SEATER

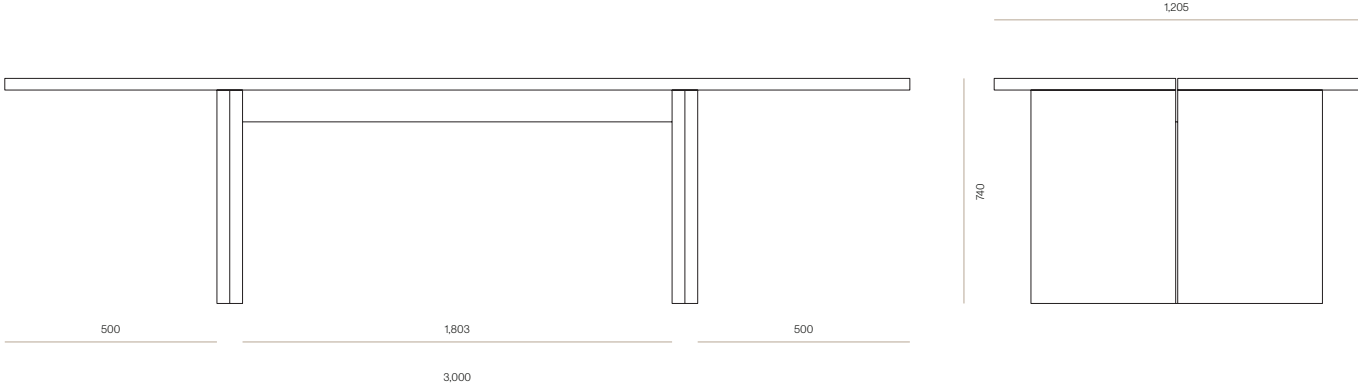
CODE 9191



WOODWRIGHTS

3000W X 1250D - 10 SEATER

CODE 10391

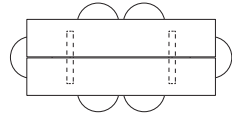


WOODWRIGHTS

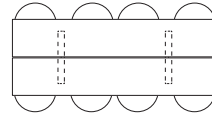
SEATING CONFIGURATIONS

Based on a standard 550W Dining Chair

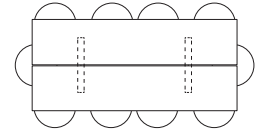
SBR T01 TABLE



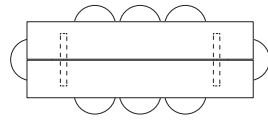
9159 - 2500W
6 SEATER



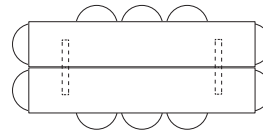
8865 - 2700W
6-8 SEATER



10392 - 2700W x 1205D
8-10 SEATER



9191 - 3000W
8 SEATER



10391 - 3000W x 1205D
10 SEATER